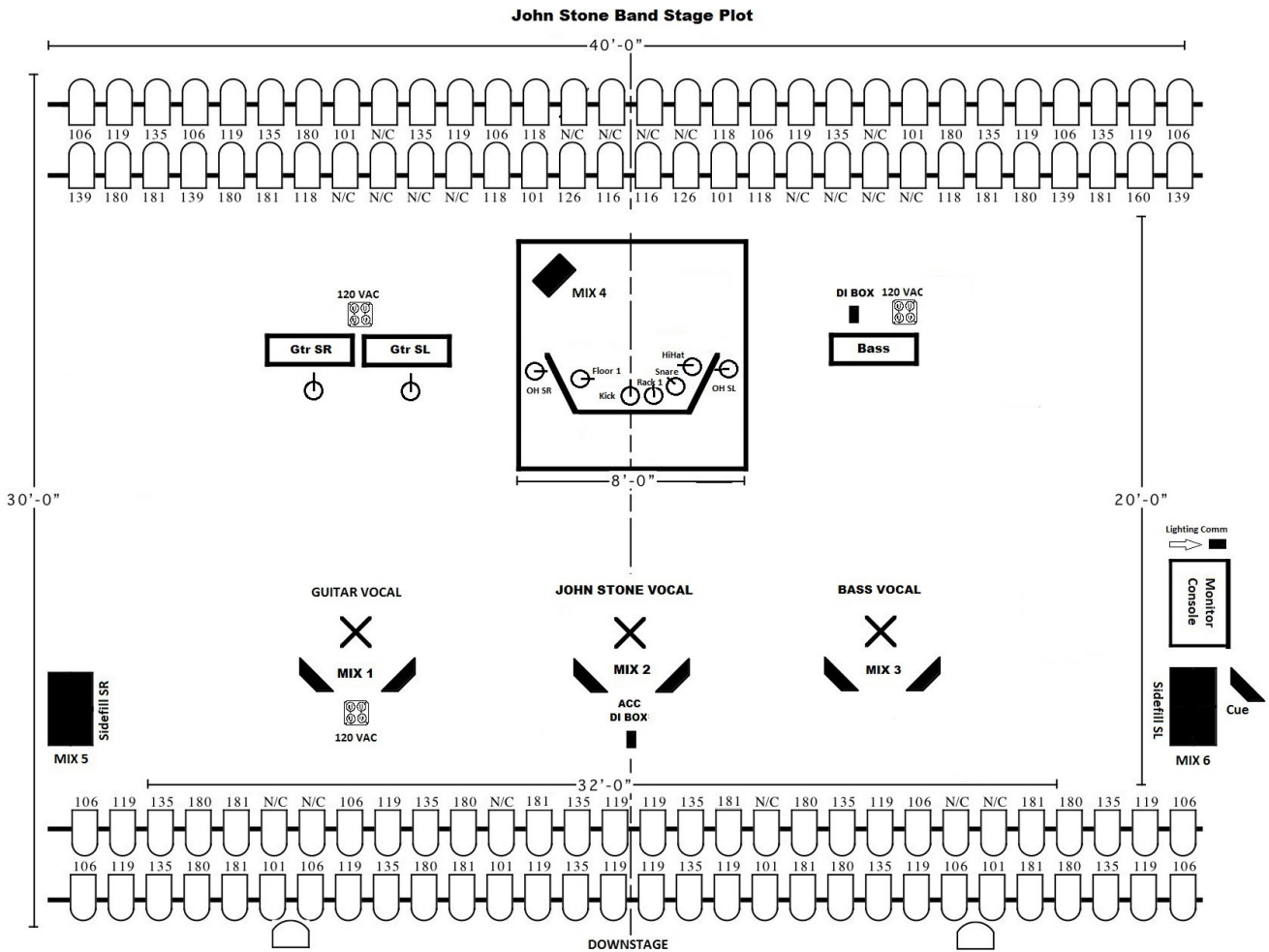


**John Stone & The Trailer Park Allstars
Production Information 2017-18**

INPUT LIST

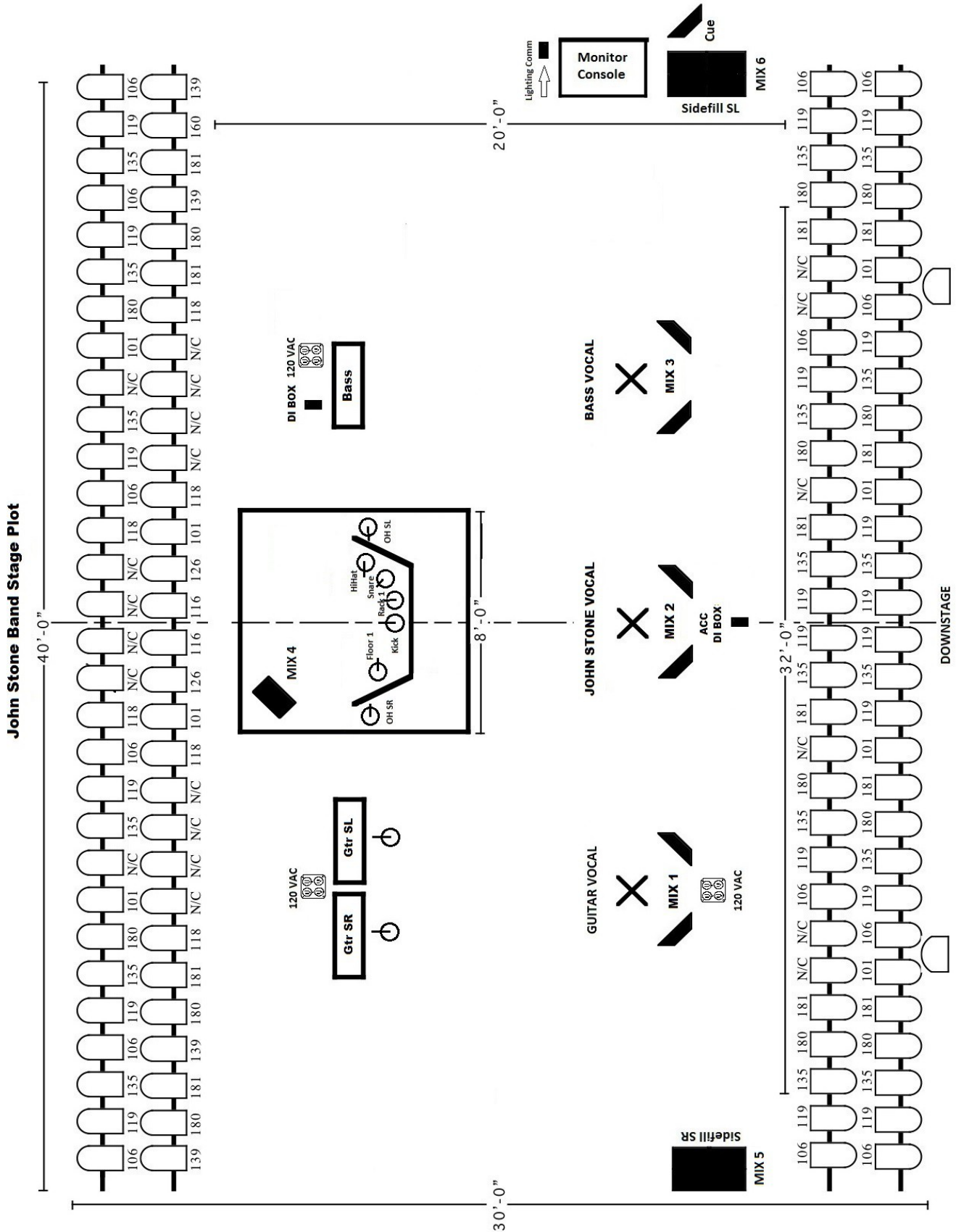
Note – Engineers carry digital console show data - No festival patches allowed

| <u>FOH / MON #</u> | <u>SUB #</u> | <u>INSTRUMENT</u> | <u>MIC / DI</u> | <u>INSERTS (Analog)</u> | <u>NOTES / INFO</u> |
|--------------------|--------------|-------------------|-----------------|-------------------------|----------------------|
| #1 | # | Kick | Mic | Gate | |
| #2 | # | Snare | Mic | Gate | |
| #3 | # | Hi Hat | Mic | | |
| #4 | # | Rack Tom #1 | Mic | Gate | |
| #5 | # | Floor Tom #1 | Mic | Gate | |
| #6 | # | Overhead SR | Mic | | |
| #7 | # | Overhead SL | Mic | | |
| #8 | # | Bass | DI | Comp | |
| #9 | # | Guitar SR | Mic | | |
| #10 | # | Guitar SL | Mic | | |
| #11 | # | Acoustic DI | DI | | Origin: DSC |
| #12 | # | Guitar Vocal | Mic | | Origin: DSR |
| #13 | # | John Stone Vocal | Mic | Comp | Origin: DSC/Wireless |
| #14 | # | Bass Vocal | Mic | | Origin: DSL |



Production Management:
 Tour Support Services c/o Chris Bray
 (615) 969-1733 cell
 email: chrisbray@tourssupportservices.com

**John Stone & The Trailer Park Allstars
Production Information 2017-18**



Production Management:
Tour Support Services c/o Chris Bray
(615) 969-1733 cell
email: chrisbray@tourssupportservices.com

**John Stone & The Trailer Park Allstars
Production Information 2017-18**

**Production Management:
Tour Support Services c/o Chris Bray
(615) 969-1733 cell
email: chrisbray@tourssupportservices.com**